

TECHNICAL DATASHEET



WYE TEE 45°

03 Update - 06/2022

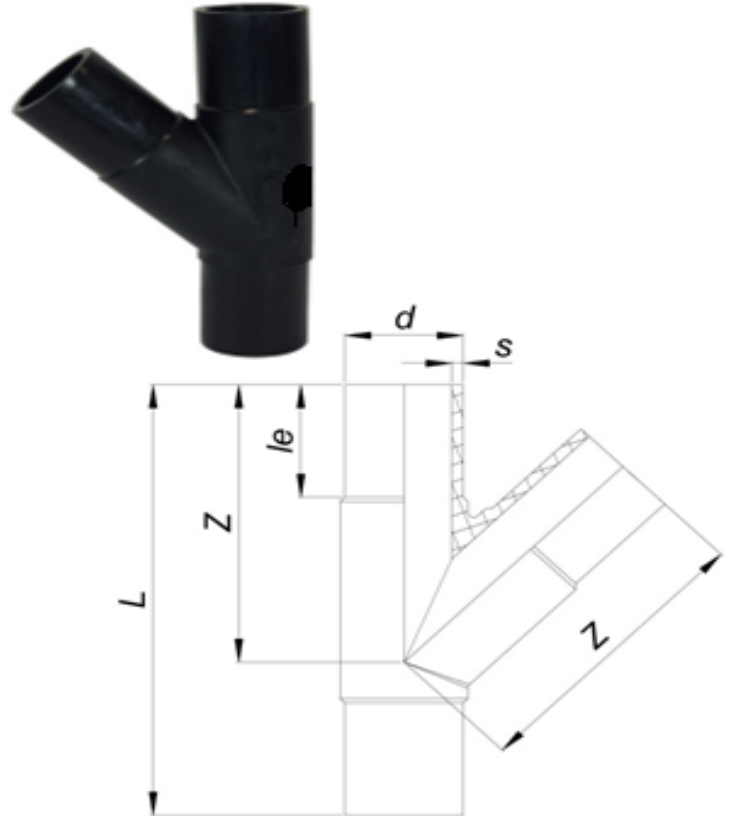
TECHNICAL DATA

Article No	001 317 0045 0063
d (mm)	63
L (mm)	254
le (mm)	67
Z (mm)	164
s (mm)	5,8
Weight (Kg)	0,455
Box Quantity (pcs)	22
Box Dimension (pcs)	55x30x43,5

IDENTIFICATION OF PRODUCT

D(mm)	63
SDR	11
RAW METARIAL	PE -RT
PRESSURE CLASS	
TRADEMARK	NTG
EXECUTION	Injection Moulded
STANDARD	ISO 22391

INJECTION MOULDED



SPECIFICATION

Long Spigot

Tolerance on diameters and thickness according to the standards. The other dimensions are specialized. Tolerance $\pm 5\%$. NTG PLASTIK reserves all the right to change any information without giving prior notice. The production, distribution and utilization of this document without explicit authorization is prohibited.